

V-6030 HDLP Low Profile Vertical Baler

Performance Data

Cylinder Bore, Rod, & Stroke	6" x 3.5" x 30"
Pump Flow	10.5 GPM
Motor	10 HP
System Pressure	2,200 psi
Max. System Pressure	2,500 psi
Platen Force	62,200 Lbs
Platen Pressure	37 psi
Cycle Time	35 sec

Electrical Specs

Control Voltage	120 VAC
Electrical	208/230/460 3-Phase
Control Box	NEMA 4 UL Listed Box & Controls
Controls	OFF/ON/AUTO Key Switch; 3 Position Selector Switch; EMERGENCY STOP Button; IEC Motor Starter and Overload, Programmable Smart Relay"

Dimensional Data

Overall Width	90 1/4"
Overall Depth	42 1/2"
Overall Depth (with optional wire guides)	49 1/4"
Overall Height	105" (82" with Cylinder Lowered)
Feed Height	35 3/4"
Feed Opening Width	60"
Feed Opening Height	20"
Bale Door Clearance	58"

Bale Size Data

Bale Size	60"W x 30"D x 33"H
Bale Volume	35 Cu. Ft.
Bale Weight (OCC)	Up to 700 Lbs.
No. Bale Ties (14 ga. x 14 ft. long)	5
Total Baler Weight	3,800 Lbs

Structural Data

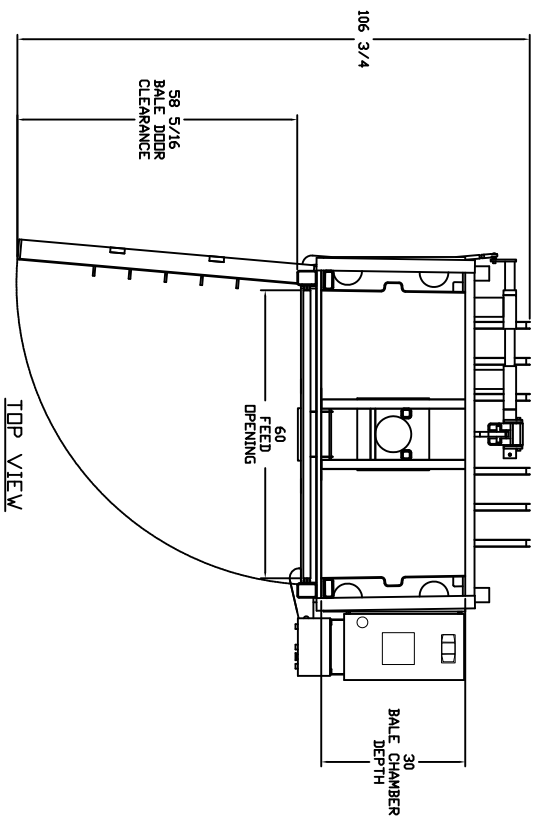
Body Side Plates	7 Ga, 8" & 10" Structural Channel
Body Floor	7 Ga
Floor Structure	6" Structural Channel
Top Cylinder Supports	Heavy 8" Structural Channel Integrated Into Main Frame of 10" Structural Cannel & 1" x 12" Plate Beam
Platen Face	1/4" Plate, 6" Structural Channels, & 1/2" UHMW Wear Pads
Bale Door	7 Ga Door Plate, 4" x 3" Structural Tube Top Rail, 4" Structural Angle, 4" Structural Channel, & 1/2" x 4" Plate
Ejector	Auto-Eject
Paint	Primer Bottom Coat; Industrial Grade Top Coat, Low VOC, High Solids



Available Options

- Bale Made Light
- Electrical Disconnect Switch
- Oil Heater
- Wire Guides
(For Front Bale Tie Off)

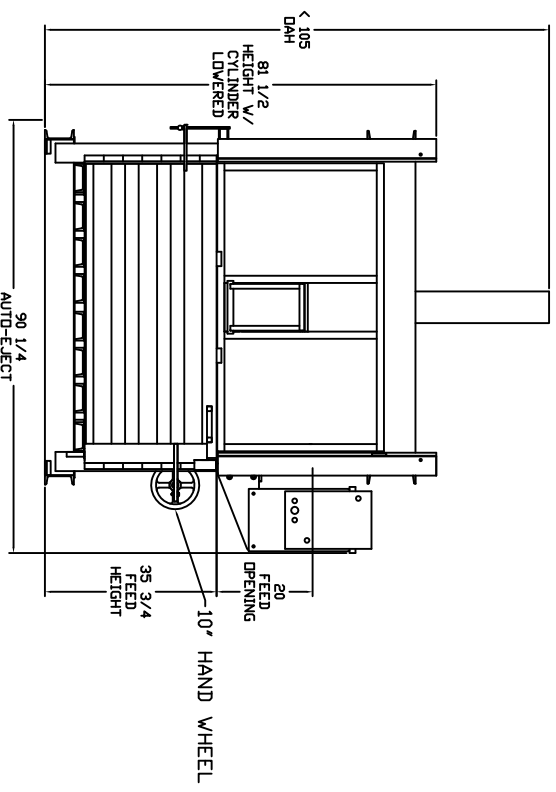




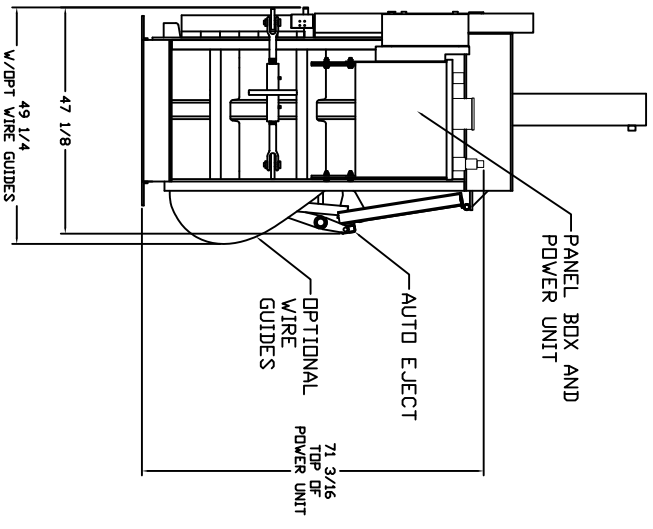
TOP VIEW

- OPTIONS:
- * BALE MADE LIGHT
 - * QUICK DISCONNECT
 - * DIL HEATER
 - * FRONT WIRE TIE OFF (WIRE GUIDES)


MARATHONS SPECIFICATIONS ARE SUBJECT TO CHANGE WITHOUT NOTICE IN ORDER TO MAKE IMPROVEMENTS TO ITS EQUIPMENT.



FRONT VIEW



RIGHT SIDE VIEW

TITLE: V-6030HDLP AUTOEJECT & SHOWN W/FRONT TIE OPTION	
	
VERNON, AL. YERINGTON, NV. CLEARFIELD, PA.	
DR. SA	APP.
OK.	
DATE: 8/6/09	
SCALE: NTS	
TOL:	
DRAWING NO. 66082	