

RAMJET **RJ-400 Ultra[®]** **3 Cubic Yard Capacity** **Stationary Compactor**



Hi-Performance Compactor for Commercial & Medium Industrial Applications

Ultra Value...

Marathon's **RJ-400 Ultra[®]** Stationary Compactor: highly efficient, economical compaction equipment for today's cost conscious waste generators. The **RJ-400 Ultra** provides the cost-saving benefits of solid waste compaction including labor reduction, fewer collection pick-ups, and space savings.

Superior Design & Construction...

Marathon, the first to offer a Side-Mounted Power unit, provides the convenience and ease-of-maintenance of a remote power pack along with the space savings of an integrated power pack. Other unique design features include:

- ▼ No electrical components are on the inside of the compactor.
- ▼ Operator accessible Reset Button for the Motor Starter to eliminate entry into the control box.
- ▼ Advanced, simplified Two Button Operation.
- ▼ Limit Switch (arrow) attached to the outside of the compactor body for ease-of-maintenance and damage protection.

The RJ-400 Ultra's Side-Mounted Power Unit shown without weather cover. Note the Limit Switch is also on the exterior part of the compactor body



Performance...

The **RJ-400 Ultra** compactor is fully automatic. Simply dump waste into the large 67 1/2" x 60" charge box opening and turn the key. After the compaction cycle completes, the unit shuts down automatically. Key operation gives the operator absolute control over compactor use, eliminating expensive sharing of waste receptacles.

The packing ram is supported by specially formulated cast iron shoes which ride on replaceable wear strips. This exclusive design protects the charge box floor from the full force of the packing ram, extending the life and dramatically reducing compaction-robbing friction.

Specifications:

Charge Box Capacity		
[Mfrs. Rating].....	3.0 cy	2.3 m ³
[WASTEC Rating].....	2.55 cy	1.95 m ³
Clear Top Opening	67.5" L X 60" W..	1714mm x 1524mm
Weight	6,000 lb.....	2721 kg
Capacity Per Hour.....	184 cy	140 m ³

Performance Characteristics:

Cycle Time	50 s.....	50 s
Total Normal Force.....	46,700 lb.....	208 kN
Total Maximum Force.....	55,100 lb.....	245 kN
Normal Ram Face Pressure.....	26.8 psi	185 kPa
Maximum Ram Face Pressure.....	31.7 psi	218 kPa
Ram Penetration.....	13"	330 mm

Electrical Equipment:

Electrical Motor TEFC 3/60-208/230/460 15 hp..... 11.2 kW
 Electrical Control Voltage..... 120 VAC..... 120 VAC
 UL Labeled Panel Box: Type NEMA 3R, All Circuits Fused
 Standard 2 Button Controls: Keylock Start/Mushroom Stop
 Connected to 13' Sealtite

Hydraulic Equipment:

Hydraulic Pump.....	18.5 gpm.....	70 L/min
Normal Pressure	1650 psi	114 bar
Maximum Pressure	1950 psi	134 bar
Hydraulic Cylinder Bore	6"	152 mm
Hydraulic Cylinder Rod.....	4"	102 mm

RAMJET

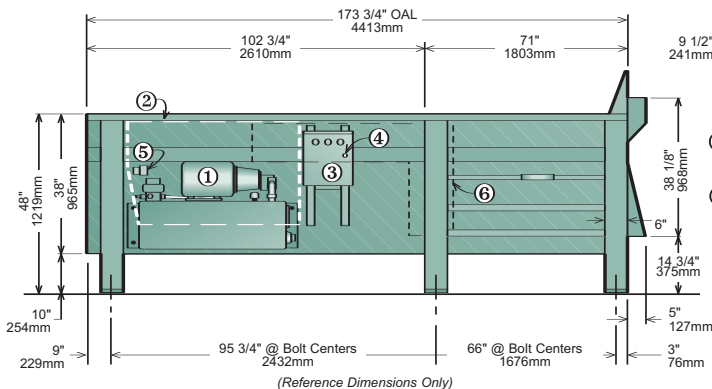
RJ-400 Ultra



▼ The **RJ-400 Ultra** features an advanced, simplified control system with 2 button operation. It is key-operated and fully automatic. The heavy duty push button controls are contained in a weather-proof NEMA 4 enclosure. Connected to the power pack with 13' of sealtite, the controls can be located for operator convenience.

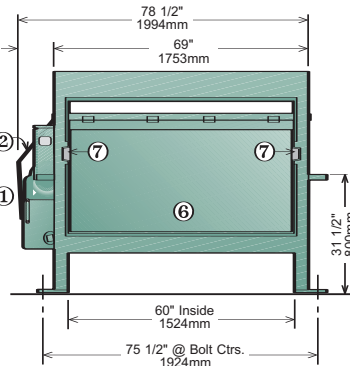
Optional Features Available:

▼ The optional TrashMinder® is the most advanced method for reporting and measuring container fullness as well as for managing user access and billing. For a detailed description see Marathon's TrashMinder® brochure.



Concrete Pad Requirements

6" (152mm) Thick Reinforced 3000 PSI Concrete (4) 3/4" (20mm) Anchor Bolts (Min.)



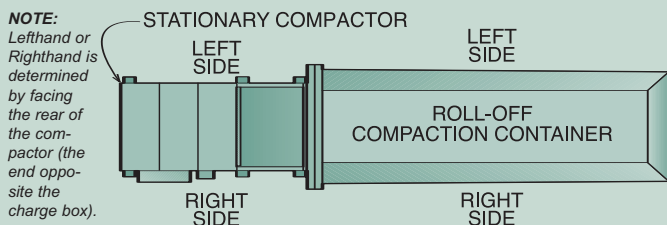
- ① Side-Mount Power Unit
- ② Power Unit Weather Cover
- ③ Motor Control Panel
- ④ Motor Starter Reset Button
- ⑤ Limit Switch
- ⑥ Ram
- ⑦ Ram Guide Shoes with Replaceable Wear Strips

▼ Multi-cycle timer, dual controls, ozone odor control system, hoppers and many other options are also available as well as a full line of compaction containers.

▼ Chutes can be constructed to meet your specifications and needs. They reduce the risk of pilferage of valuable merchandise or tools by eliminating a person's ability to hide items in the trash in order to recover them later from the waste receptacle.

Authorized Distributor:

Top View of Typical Compactor & Container Configuration



MARATHON EQUIPMENT COMPANY

P.O. Box 1798 • Vernon, AL 35592-1798 USA • (205) 695-9105 fax (205) 695-7250 **1-800-633-8974**
 130 Hwy. 339 • Yerington, NV 89447 USA • (775) 463-4030 fax (775) 463-4531 **1-800-624-5724**
 1102 Industrial Park Rd. • Clearfield, PA 16830 USA • (814) 765-0200 fax (814) 765-2072 **1-800-922-7062**

Visit our web site: www.MarathonEquipment.com

Pictures in this literature are illustrative only. Specifications are subject to change without notice in order to accommodate improvements to the equipment. Certified in compliance with ANSI Regulation Z245.2, all OSHA standards, and certified under WASTEC's Stationary Compactor Certification Program. Products must be used with safe practice and in accordance with said regulations and standards.

